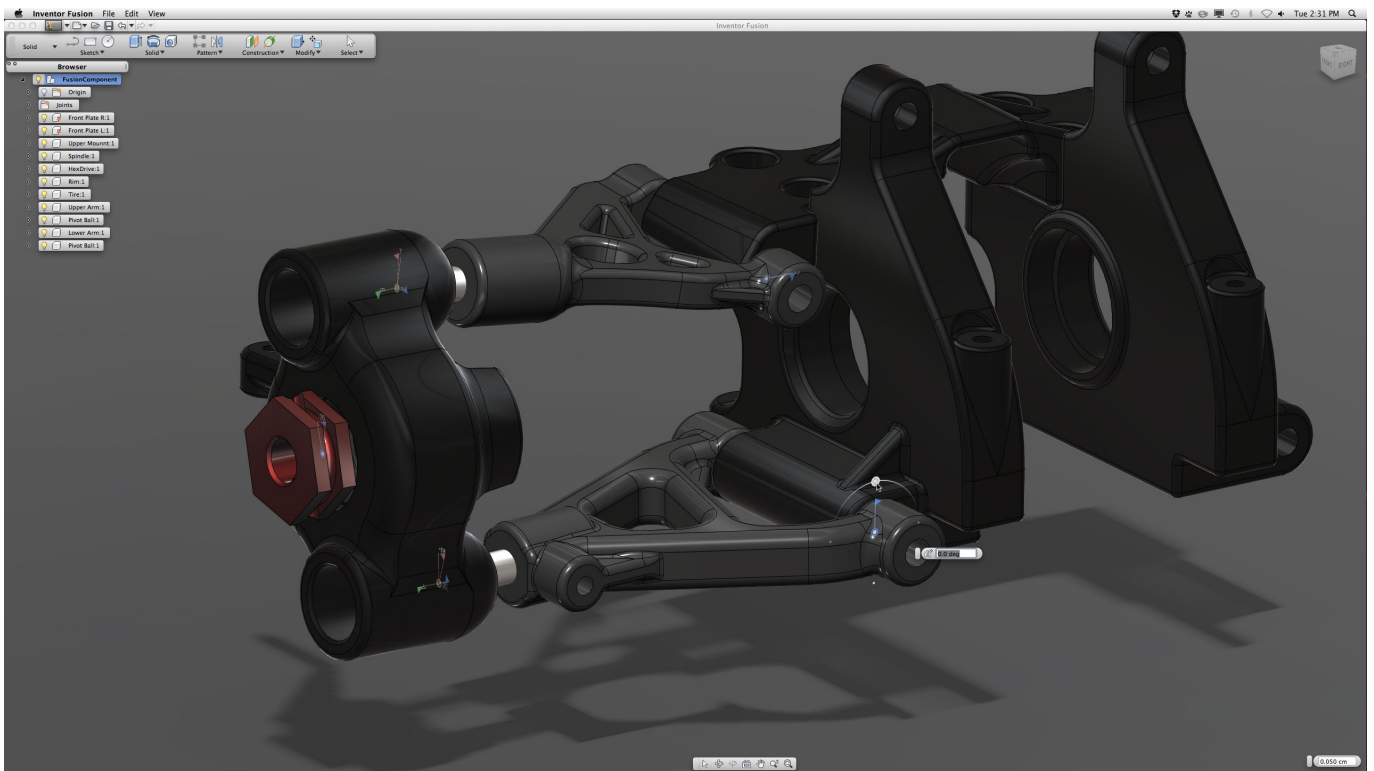




[Free 3d Modeling Software For Mac](#)



[Free 3d Modeling Software For Mac](#)



It contains many components to adjust dimensions or extract design details from 3D models to create high quality production ready drawings.. Dust3D is a free open-source 3D modeling software for quick making game assets with texture and rig automatically generated.. Blender – Free Open 3D Modeler The blender is a free open 3D modeler software which is free for use.

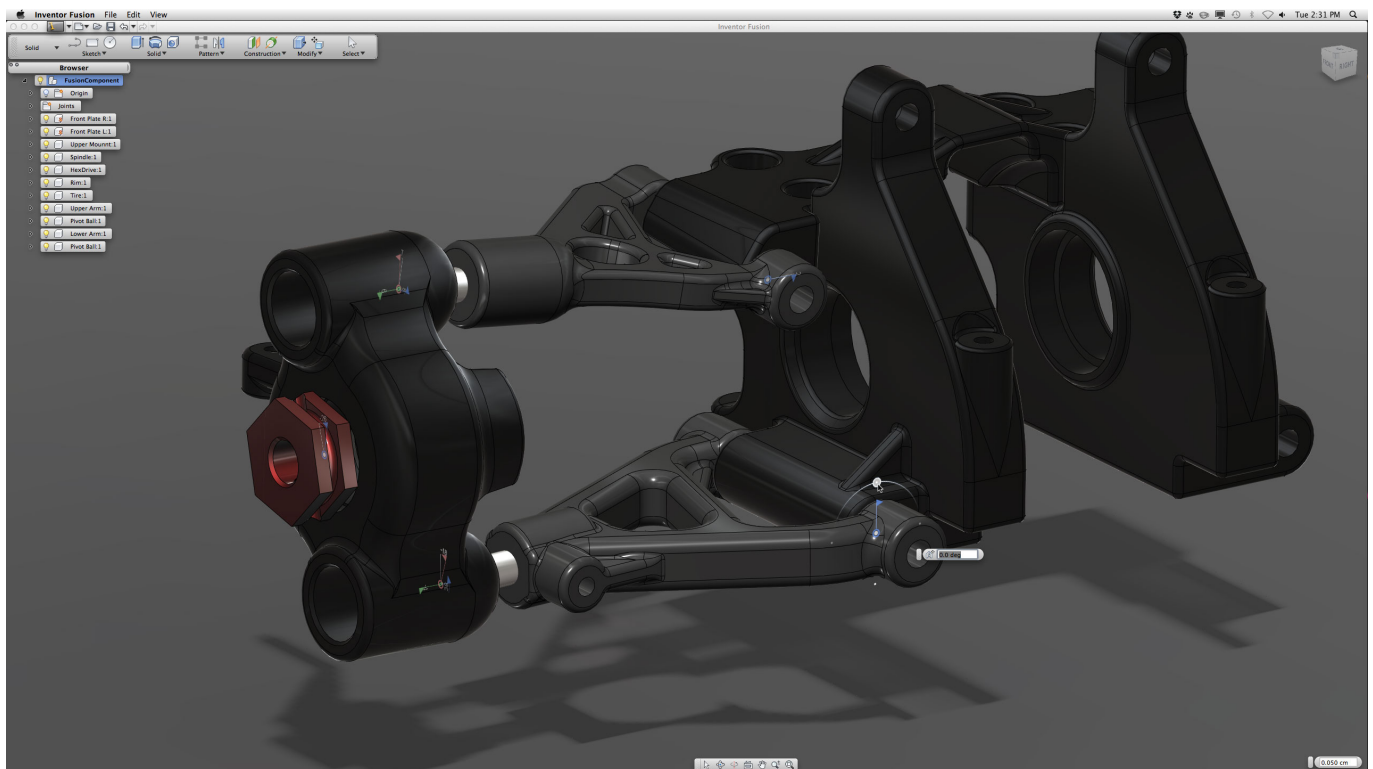
1. [modeling software](#)
2. [modeling software free](#)
3. [modeling software for woodworking](#)

CorelCADCorelCAD offers 2D drafting and 3D design capabilities, such as the drawing constraints feature for creating different geometric shapes faster and the push and pull feature for 3D direct modeling.. The industry leading software is the first choice for every user who want the best user experience.

modeling software

modeling software, modeling software for 3d printing, modeling software free, modeling software list, modeling software for woodworking, modeling software online, modeling software engineer, modeling software architecture, modeling software for mac, modeling software for games, modeling software for unity [General For Mac](#)

But fear not, Mac users We've done some digging and have put together this list of the top-rated CAD software for Mac.. And, if you think you'll bypass the issue by using a cloud-based CAD tool, you'll quickly find that CAD vendors haven't embraced the cloud as much as other types of software vendors have, so the offerings are still largely on-premise.. According to Gartner's Hype Cycle for IT Evolution (full content available to Gartner clients), cloud-native CAD applications still have five to 10 years before they reach mainstream adoption.. Compatibility with multiple file types: Users like the fact that the tool is compatible with DWG, PDF, ACIS, DXF, STL, CDR, and other file formats.. 3D model as if you were drawing in 2D Create models and adjust features and dimensions fluidly with a paper and pencil style UX free of clunky keyboard commands. [Official Skype Download Free For Windows 7 Ultimate 64 Bit](#)



[Muat Turun Al Quran Ebook Epub Gratis Android](#)

modeling software free

[Png Driver. Download fasters](#)

If you're looking for CAD software for Mac, you're not without options We've found some standout Mac and cloud-based CAD platforms for you.. The Best Free 3D Modeling Software app downloads: SketchUp Make 2017 Blender Blender (64-bit) Cinema 4D Autodesk DWF Viewer Paint3D Sweet Home 3D Auto.. 3D modeling in CorelCAD (Source)Common user feedback trendsBased on analyses of user reviews on Capterra, here's an overview of the areas of CorelCAD they like best, as well as those they feel could use improvement.. What users like:The short learning curve: Users mention that the tool is easy to use and beginners don't have to spend a lot of time learning it.. Accessible, flexible & integrated FreeCAD is a multiplatform (Windows, Mac and Linux), highly customizable and extensible software. [Natural Reader Install Voices Of Zootopia](#)

modeling software for woodworking

[Onecast 1 132](#)

It supports Linux, MacOS, and Windows Sketch and model concepts anywhere and continue directly in AutoCAD, Solidworks, NX, Catia, Solid Edge, Fusion360, Rhino3D, Onshape, and Sketchup.. You're likely to hit a wall if you're searching for computer-aided design (CAD) software designed for Mac.. Manufacture your 3D models AUTOCAD – Leading 3D Modeling Software The AUTOCAD for Mac is the best 3d modeling software that money can buy for you.. There are plenty of CAD software options for Windows—you'll see many of them in our list of the top AutoCAD alternatives—but only a handful offer support for Mac.. Read more about our methodology at the bottom of this article [5 Best CAD Software for Mac \(presented alphabetically\)](#)Jump to:CorelCADFreeCADFusion 360 LibreCADOnshape 1. e828bfe731 [Scribus Download Mac](#)

e828bfe731

[Free Adobe Acrobat](#)